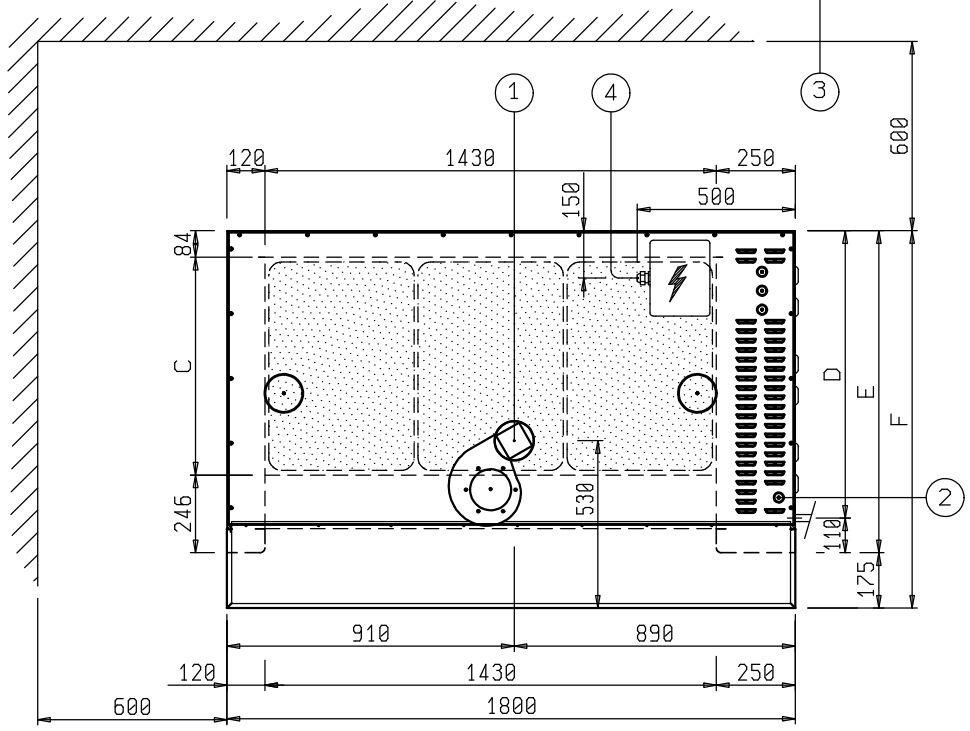


OVEN TYPE	A
1 CHAMBER	190
2 CHAMBERS	190
3 CHAMBERS	80

PANS 46X66				
C	D	E	F	
690	910	1020	1195	

PANS 46X76				
C	D	E	F	
790	1010	1120	1295	


USEFUL H.	180	230	280
B	310	360	410



TECHNICAL FEATURES	WITH ECONOMIZER	/
	INSTALLED POWER FOR SINGLE CHAMBER (KW)	3,5 KW
AVERAGE CONSUMPTION FOR SINGLE CHAMBER	4,2 KW/H	
INSTALLED POWER PROOFER	0,5 KW	
AVERAGE CONSUMPTION PROOFER	0,3 KW	
ELECTRIC POWER FOR STEAM GENERATOR FOR SINGLE CHAMBER	0,7 KW	
USEFUL DIMENSIONS BAKING CHAMBER	1430 X C	
MINIMUM PASSAGE FOR DISSEMBLED OVEN	800 X E	

1 STEAM EXHAUST PIPE	∅120
2 WATER ARRIVAL	∅1/2"
3 WATER DISCHARGE	∅1/2"
4 ELECTRIC ENERGY ARRIVAL	

**MODULAR OVEN**  
**3 PANS 46X66 - 46X76**  
**WITH PROOFER**


 DATA . VISTO . DATA 06.03.07  
 BOLL. . DIS. S. DIS.N° POS/572  
 Sistema Qualita' DISEGNO DI PROPRIETA' RISERVATA E NON PUO' ESSERE RIPRODOTTO O MOSTRATO A TERZI AI SENSI DI LEGGE